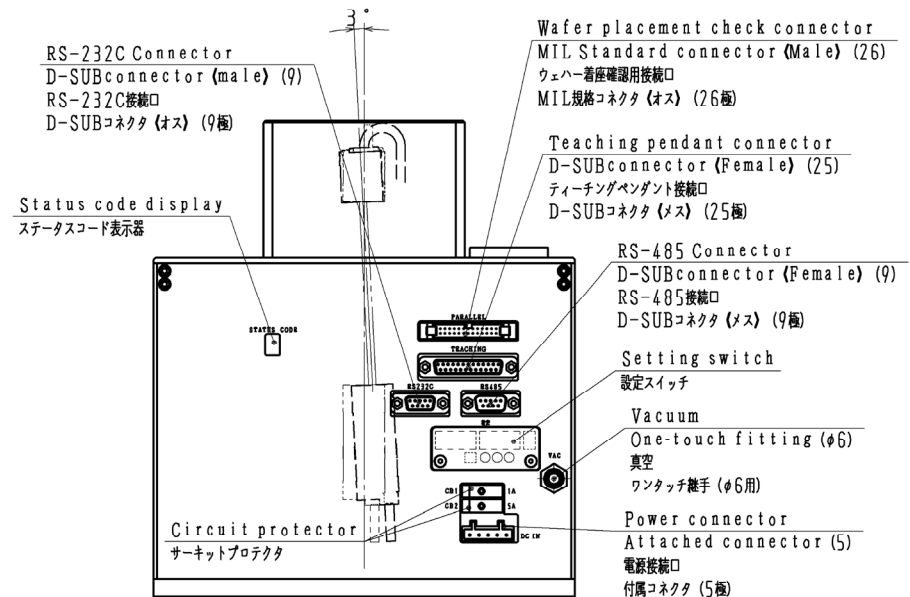
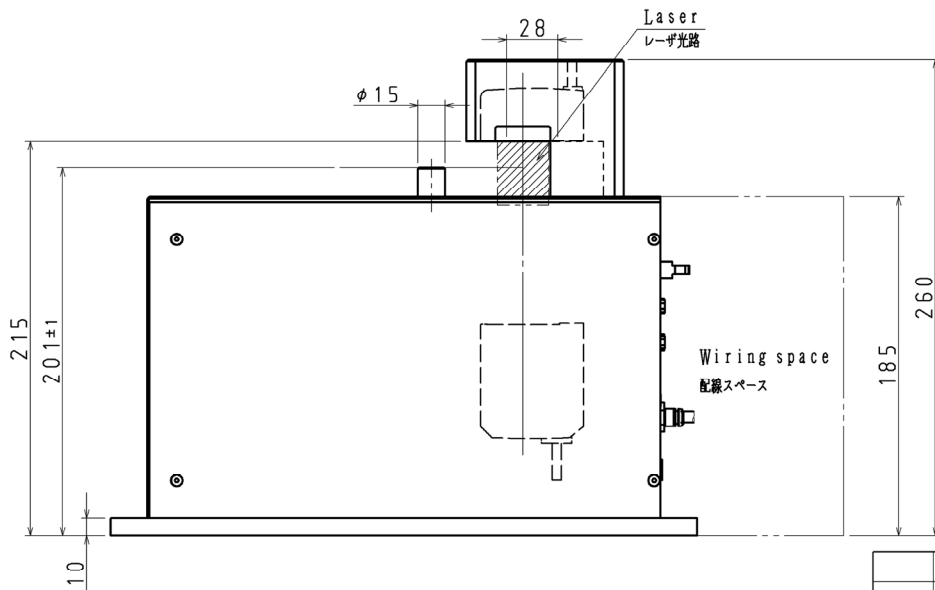


View A
矢視 A



		TAZMO				MODEL	MAF-RM*
SCALE	DRAW	DESIGN	CHECK	APPROVE	NAME	アライナ外觀図 Aligner Outline Drawing	
1:3	2020.09.28	2020.09.28	2020-10-02	2020-10-02			
Rev. No.	Description		T. HYOU	T. HYOU	II. Tsukimoto	II. Ikeda	No. 88146234