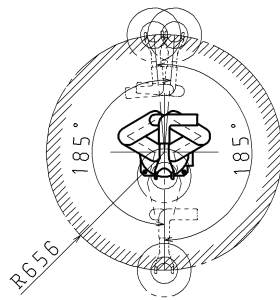
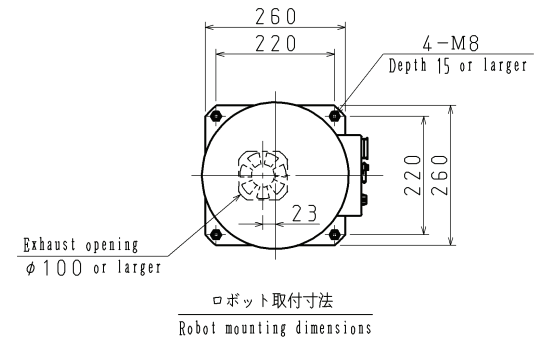
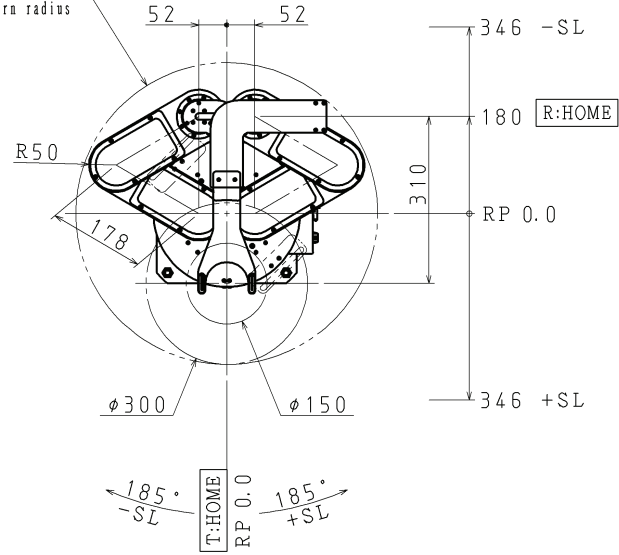
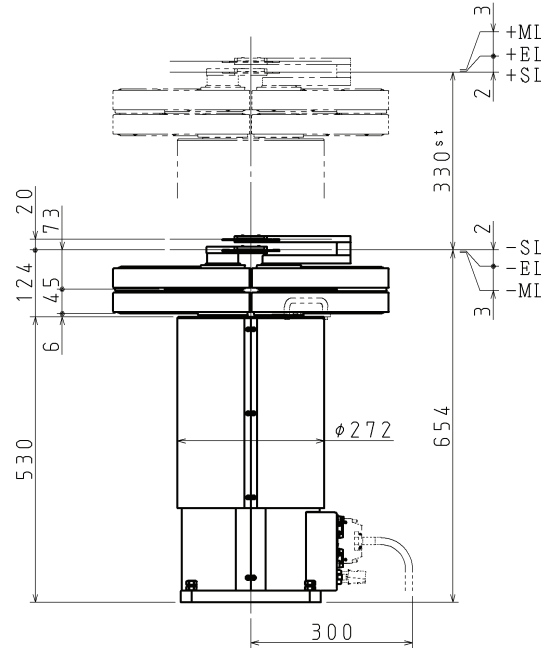


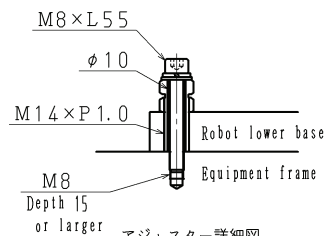
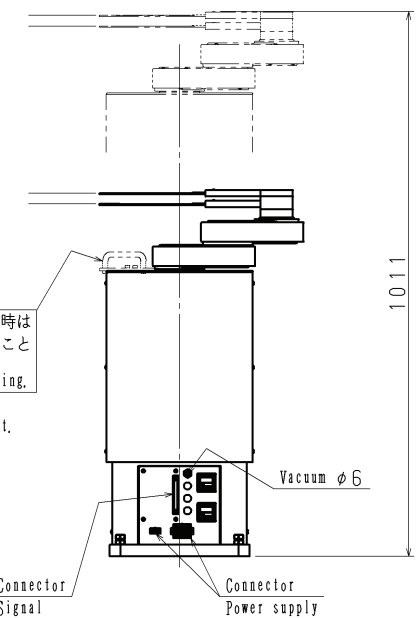
最小動作範囲 R280
Minimum turn radius



Cylindrical coordinates
Operating range
(S=1:30)



① 搬送用取手
ロボット動作時は
取り外すこと
Handle for carrying.
Remove it before
robot movement.



アジャスター詳細図
Adjuster detail view
(S=1:3)

				TAZMO		MODEL	TT300A-WAANVN
SCALE	DRAW	DESIGN	CHECK	APPROVE	NAME	Outline Drawing	
1:10	2012.11.12	2012.11.12	13.02.08	13.02.08	K.Yamazoe	No.	88075601
Rev. No.	Add Handles		2013.02.07	Matsukawa			
	Description						